

Part 1	■ Overview .....	2
Part 2	■ Properties of PROFIBUS-DP .....	3
	Configuration of the frequency converter .....	4
	Notes concerning programming .....	5
	Control word .....	5
	Reference/Actual value .....	5
	Parameterization .....	5
	Parameter interface in Write.Request .....	6
	Parameter interface in Read.Request .....	7
Part 3	■ Properties of the Interbus-S .....	9
	ID-Code .....	9
	Length codes .....	9
	PCP Communication .....	10
	Communication objects .....	10
	Communication reference list .....	13
	Error reports in PCP Communication .....	13
Part 4	■ Technical data .....	14
	Example of installation .....	14
	Connection of the PROFIBUS bus wire .....	15
	Connection of the Interbus-S bus wire .....	15
	Messages .....	16
	Operating units .....	16
	Terminals and connectors .....	16
	Housing .....	16
Part 5	■ Example of program for Siemens S5-115U .....	17
	■ Index .....	33

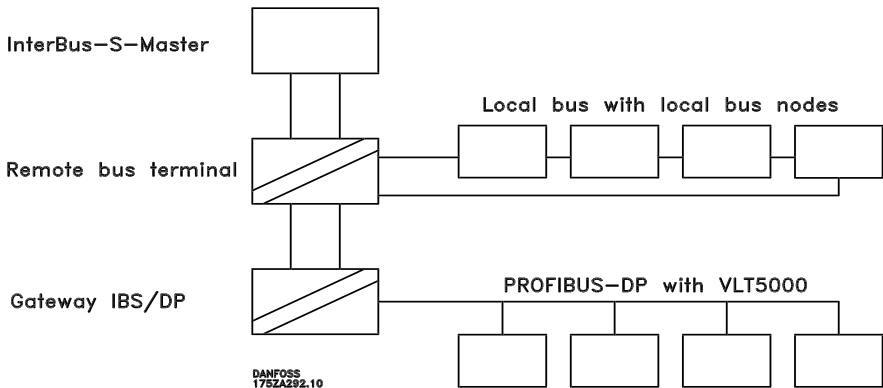
### ■ Overview

The purpose of the InterBus-S / PROFIBUS-DP-Gateway is to enable the Danfoss VLT® 5000 Frequency Converter to be operated with the Field Bus system InterBus-S. For this purpose, the Gateway converts the InterBus-S Telegrams to PROFIBUS-DP-Telegrams, which are then transmitted to the VLT®.

Reporting back occurs in the same way. The Gateway converts the PROFIBUS-DP-Telegrams from the VLT®, which are then transmitted to the master via the InterBus-S.

The Gateway enables connection of up to 14 VLT® 5000 with a PROFIBUS Option Card. The Gateway sends continuous information of the selected PPO Type with the actual process data block and the actual parameter block to the VLTs

As is usual with InterBus-S, connection of the Gateway occurs in the form of a remote bus participant. However, this does not convert to the InterBus-S Local Bus, but to PROFIBUS-DP. This also means that the well-known limitations of the local buses, such as max. 8 nodes, ready-made bus wire, maximum extension 8 metres, etc., no longer apply.



For communication on the PROFIBUS-DP, there is a choice between PPO Types 1 (Process data and parameter interface) or PPO Type 3 (process data only). Process data is handled as I/Os, i.e. it is available for the user in the I/O-area of the PLC and is transmitted with

every InterBus-S-cycle.

Parameterization of the VLT® via the parameter interface is effected via PCP Communication.

- Properties of the PROFIBUS-DP  
A maximum of 14 VLTs can be linked up - using the PPO Type1 (12Byte) or the PPO Type3 (4Byte). The selection of PPO Type goes for all VLTs; mixed operation is not permissible and will lead to an error report.

The InterBus-S in-/output data is projected on the PROFIBUS-DP without any interpretation being offered. With one exception, bit 10 of the control word (CW), is inverted. This ensures that when the PLC moves to Stop and resets all outputs, the connected VLTs will stop, too; also, when the InterBus-S communication starts, it is ensured that the VLT® 5000 remain stopped.

The PPO Type1 allows parameterization of the VLTs, retrieval of all values and parameters - including fault and diagnostic data, as well as control of the VLT® with reporting back on its actual state.

The PPO Type3, on the other hand, allows only control and reporting back on the state of the VLT®.

With respect to the functioning and handling of the parameter interface in PPO Type1, please refer to the manual on PROFIBUS Option Cards for VLT® 5000. The baudrate on the PROFIBUS-DP is 1.5Mbaud, which means that the maximum bus cable length is 100 m. Further information is available from the PROFIBUS manual for VLT® 5000.

### !!! IMPORTANT !!!

Before inserting the PROFIBUS Option Card, the VLT® should be turned on and parameter 620 should be set to "Initialize". Subsequently, remove the power and insert the PROFIBUS Option Card. When the unit is turned back on, new initialization is effected automatically. Be aware that all parameters will be set to Factory setting!

If this sequence is not possible, or if the PROFIBUS Option Card has already been inserted, the keys DISPLAY/STATUS + MENU + OK must be pressed simultaneously before turning on the VLT®; subsequently, turn on the power and keep the three keys pressed until the message "Manual Initialize" appears in the bottom line of the display window (see page 136 in MG.50.AX.02).

### ■ Configuration of the frequency converter

The following parameters are to be set or checked, respectively:

#### Parameter 502-508

Motor coasting, quick-stop, DC-braking, start, reversing, reset, setup selection, selection of digital reference, this is where to decide if control is going to be via "BUS" only or via "Digital Input" only, or via a combination of the two. In the case of BUS-selection only, all parameters should be set to "BUS" at this point.

#### Parameter 512

Telegram profile

this is where to select the telegram Profile, the profiles are described in the PROFIBUS manual for VLT® 5000.

Danfoss recommend to use Danfoss profile.

#### Parameter 801

Baudrate

enter the Bus-Baudrate selected for your Gateway, or leave the rate at "1.5 MBAUD". At present, the Gateway baudrate has been set at a fixed rate of 1.5Mbaud.

#### Parameter 800

FMS/DP-selection,

this is where to set "DP"; This is the factory setting.

#### Parameter 803

Bus time out,

this time selection determines the delay



The parameters set on the VLT® are not activated until the power supply has been cut off and re-cycled.

after a BUS drop-out before a reaction from the frequency converter is to ensue.

#### Parameter 804

Bus time out function,

select the reaction after a BUS drop-out.

#### Parameter 904

PPO select,

enter the telegram desired, e.g. for PPO Type1 enter "PPO type1", for PPO Type3 enter "PPO Type3". The PPO types are described in the PROFIBUS manual for VLT® 5000.

#### Parameter 918

Station address,

this is where the station address is selected. The range of operation of the Gateway is from 1-14, with attention having to be given to throughgoing addressing. The address range basically begins at "1" and ends at the address of the maximum number of units available. This physical position at the BUS has no influence on addressing.

#### Parameter 927

Access to parameter change,

this is where to select whether the parameter can be altered via the BUS, ("Enable"), or whether this possibility is to be disabled ("Disable").

#### Parameter 928

to process control,

like 927, although this is where it is to be decided whether control is going to be effected via the PROFIBUS ("Enable") or not ("Disable").

All other parameters are to be set in accordance with the intended application, as described in the product manual.

- Notes concerning programming:  
The frequency converter can now be controlled via the BUS; this is effected simply through setting or reading of I/O-Bits.

### Control word

As opposed to what is said in the product manual about the PROFIBUS Option Card, bit number 10 has to be set at "0" to enable control. This will ensure that the VLT® accepts the control word. The Gateway automatically converts this bit to a "1".

The control word for:

starting forward is

047F Hex or 0000 0010 0111 1111.

starting reverse is

847F Hex or 0100 0100 0111 1111.

stopping with normal ramp (Param. 208) is

044F Hex or 0000 0100 0100 1111,

stopping with alternative ramp (Param. 210) is 064F Hex or 0000 0110 0100

1111.

### Reference/Actual values

The reference and the actual value of the VLT® returned are handled in a norm-set format. The setting range goes from -10000 for -100.00% up to +10000 for +100.00%. The 100.00% corresponds to 4000 hex. Negative reference are generated through the two's complement.

Example:

Min.frequency = 0Hz;

Max.frequency = 50Hz

Desired is 25Hz corresponding to 50% of the max. rpm:

50.00% = 2000 hex =

0010 0000 0000 0000 Binary

For 25Hz with reversing = -50% of the max. rpm:

50.00% = 2000 hex =

0010 0000 0000 0000 Binary

reversal of a positive to a negative desired value:

```

0010 0000 0000 0000 Binary
-> 1101 1111 1111 1111 Binary One's complement
-> +-----+-----+-----+-----+
   = 1110 0000 0000 0000 Binary Two's complement
-50.00% = E000 hex = 1110 0000 0000 0000 Binary
    
```

If you would like to know more about control word, state-machine, reference value, etc, please consult the product manual for the PROFIBUS Option Card.

### Parameterization

Parameterization via the Bus is only possible if using PPO Type1.

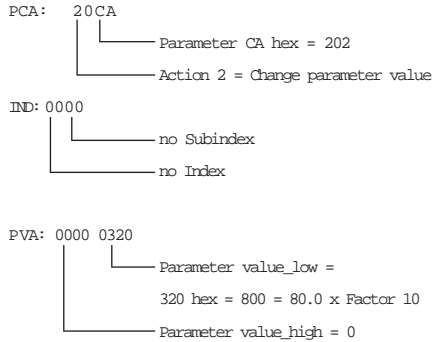
Parameterization is effected via PCP Communication. The procedure is as follows:

Order to IBS-master:	Report from VLT® to master:
Write.Request	Confirmation positive Confirmation negative, reporting of error code
Read.Request	Confirmation positive includes the data of the requested parameter of the VLT® Confirmation negative, reporting of error code

- **Parameter interface in Write.Request**  
 The parameter interface (PCV) of the VLT® 5000 contains a total of 4 words. This enables reading and writing of parameters, reading of arrays, writing, etc.
- The parameter interface can be detailed as follows:
1. Word (Parameter-Identification-Value, PCA); in the lower 11 bits (bits 0..10) enter the parameter number, in the upper four bits (bits 12..15) select the desired action.
  2. Word (Index/Subindex, IND); the byte "Index" is only used if wanting to use elements of an array. In this case, enter the index of the element in question. In normal parameter actions, this byte is not used. The byte subindex is intended for subsequent extensions and is not used at this point.
  3. + 4. Word (Parameter Value, PVA); in the case of write action, this is where the value of the selected parameter is entered. The third word is the High-Word; the fourth word is the Low-Word. The third word is only used if parameter values above 65535 are to be transmitted. Since values are not transmitted in comma format, each parameter value must be multiplied by a factor. The parameter factor in each case can be seen from the manual for the PROFIBUS Option Card

Example:

In VLT® 5000, with bus address 2, the parameter 202 maximum frequency is to be changed to 80 Hz,



The request on the PCP channel now looks as follows:  
All values in hex.

Write.Request	
No. of subsequent values	
invoke_id	Communications Reference
index	
VLT®-Address	No. of Bytes
PCA	
IND	
High_Parameter value	
Low_Parameter value	

8082	
007	
00	02
5FA5	
02	08
20CA	
0000	
0000	
0320	

Successful completion is indicated in the form of a positive confirmation.

If all VLTs are to be parameterized at the same time, a zero is to be entered instead of the VLT-address.

Now the length of the data has to be entered; since, however, this is only prepared for the maximum layout, a length of 112 bytes has to be entered here. Now follows the data of the VLTs, in the sequence of their addresses.

### ■ Parameter interface in Read.Request

Responses from the VLT® to an order initiated previously via Write.Request. Data is only available in the case of a positive confirmation; if there is a negative confirmation, an error code is reported.

1. Word (Parameter-Identification-Value, PCA); in the lower 11 bits (bits 0..10) the VLT® enters the parameter number; in the upper four bits (bits 12..15) the type of response appears.

2. Word (Index/Subindex, IND); the byte "Index" is only entered if elements of an array have been accessed. In normal parameter actions, this byte is not used. The byte subindex is intended for subsequent extensions and is not used at this point.

3. + 4. Word (Parameter value, PVA); this is where the VLT® enters the value of the selected parameter. The third word is the High-Word; the fourth word is the Low-Word. The third word is only used if parameter values above 65535 have been transmitted.

Since the values to be transmitted are not transmitted in comma format, the individual parameter value must be divided by a factor to obtain the actual value. The individual parameter factor can be seen in the manual for the PROFIBUS Option Card.

Example:

The response from the VLT® 5000 is to be read onto the above order transmitted via Write.Request.

The order on the PCP Channel looks as follows:

All values in hex.

Read.Request	
No. of subsequent values	
invoke_id	Communications Reference
index	
VLT-Address	No. of Bytes

8081	
0003	
00	02
5FA5	
02	00

After completion of the Read.Request, the following data is obtained:

PCV: 10CA  
 └─ Parameter CA hex = 202  
 └─ Action 1 = Transmission of parameter value

IND: 0000  
 └─ no Subindex  
 └─ no Index

PVA: 0000 0320  
 └─ Parameter value\_low = 320 hex = 800 = 80.0 x Factor 10  
 └─ Parameter value\_high = 0



### ■ Properties of InterBus-S

#### ■ ID-Code

The ID-Code of the Gateway : F1hex - 241dec

32 words, of which:

Bus width 4 to 32 words

- 4 words PCP
- 0 - 28 words process data channel  
(2 words per VLT® ) In- / Output

#### ■ Length codes

Since all register widths are not possible in InterBus-S, fill words have to be entered in some configurations of the gateway. Furthermore, not all InterBus-S-Masters are able to serve a 4-word-wide PCP Channel (Firmware versions before 4.0).

In this case another 3 words have to be considered by the PCP Channel when calculating the length code. The relevant length codes for your configuration can be seen from the following table:

No. of VLT® 5000	InterBus-S Bus width	Length code 1 word PCP	Length code 4 words PCP
0	4	03 hex	00 hex
1	6	05 hex	02 hex
2	8	07 hex	04 hex
3	10	09 hex	06 hex
4	12	0B hex	08 hex
5	14	0D hex	0A hex
6	16	0F hex	0C hex
7	24	17 hex	14 hex
8	24	17 hex	14 hex
9	24	17 hex	14 hex
10	24	17 hex	14 hex
11	32	1F hex	1C hex
12	32	1F hex	1C hex
13	32	1F hex	1C hex
14	32	1F hex	1C hex

### ■ PCP Communication

### ■ Communication objects

Number of VLT® 5000

Index:	5FA0 hex
Symbol:	inv_count
Data type:	Unsigned8

This enables reading of the number of frequency converters expected on the PROFIBUS side as set at the rotary switch. This is not necessarily the number of frequency converters actually connected.

State of the frequency converter

Index:	5FA2 hex
Symbol:	inv_state
Data type:	Subindex1: Unsigned 8 Subindex2: Unsigned 8
Access:	Read only

If all VLT® set at the rotary switch work troublefree at the bus, the two subindices come out as zero. If there is a disturbance of communication, subindex1 gives the lowest address at which a communication error occurred, while subindex2 provides more detailed information about the error in question.

Selected PPO Type

Index:	5FA1 hex
Symbol:	ppo_type
Data type:	Unsigned8
Access:	Read only

PPO Type	ppo_type
PPO1	01 hex
PPO3	03 hex

This enables reading of the PPO Type set at the slide switch.

inv_state.2	Error type
01 hex	VLT® not found
02 hex	VLT® not in Data exchange
03 hex	Master not active

### InterBus-S Module error

Index:	5FA3 hex
Symbol:	stat_err
Data type:	Boolean
Access:	Read/Write

If an InterBus-S-Slave detects an error, the slave can report the error to the InterBus-S-Master. The master then rejects the latest data cycle and begins an identification cycle, by which the master pinpoints the participant that reported the module error.

Using `stat_err`, it is possible to select whether, an error on the PROFIBUS-DP-side is to trigger a module error.

`stat_err = FF hex` module error is triggered

`stat_err = 00 hex` module error is not triggered

The pre-set value is FF hex, i.e. module error is activated as error report.

### Baudrate on the PROFIBUS-DP

Index:	5FA4 hex
Symbol:	baud_rate
Data type:	Unsigned8
Access:	Read/Write

baud_rate	Baudrate
00 hex	9.600 Bit/s
01 hex	19.200 Bit/s
02 hex	93.750 Bit/s
03 hex	187.500 Bit/s
04 hex	500.000 Bit/s
05 hex	750.000 Bit/s
06 hex	1.500.000 Bit/s

This enables reading and setting of the baudrate at which work is carried out on the PROFIBUS-side. In order to change the baudrate, the PROFIBUS must be stopped completely and initialized with the new transmission speed.



At present it is not possible to set the baudrate. The baudrate has been pre-set permanently to 1.5MBaud and the object can only be read.

PCV-part of PPO1

Index:	5FA5 hex
Symbol:	PCV
Data type:	14 OCTET_STRING with 8 Octets each
Access:	Read/Write

This object services the purpose of reading and writing the first 8 Octets (PCV-part) of PPO Type1. The 14 elements of object 5FA5 hex can be read and written individually or jointly.

In order to read or write the PCV-part of a connected VLT®, the number of the VLT® is transmitted as a subindex in addition to the index in connection with

Write.Request. See example on page 6.

Write access:

Attempts at writing only receive a positive confirmation handshake if the new value entered can in fact be entered for the frequency converter in question, i.e. if :

- 1 PPO Type1 is used,
- 2 the PROFIBUS-DP-Master is in Operate mode
- 3 all frequency converters expected at PROFIBUS-DP are in data exchange mode.
- 4 New data has been sent to and received by the PROFIBUS-DP at least once.

Read access:

In order to return the response values of the VLTs, the structure must be read. The data is interpreted as a parameter and combined with the corresponding value of the process data channel to form a telegram. A validity test is not carried out.

Access to the two PPO objects is only possible in accordance with the switch setting on the front panel, i.e. if the switch has been set to PPO Type3, the PPO Type1 object cannot be read or written.

- **Communication reference list**  
The following changes are required to the CRL (Communication reference list). This can be done via the PLC or via the PC program SYSSWT. The procedure for a Siemens-PLC can be seen from the program example.

Maximum PDU length:

high prior requests / responses: 00 hex  
 low prior requests / responses: 80 hex  
 high prior indications /  
 confirmations: 00 hex  
 low prior indications /  
 confirmations: 80 hex

supported services:

request / responses: 80 hex; 30 hex;  
 00 hex  
 indication / confirmation: 00 hex; 00 hex;  
 00 hex

In server operation the following services are supported:

get\_OV\_long  
 read\_variables  
 write\_variables

- **Error reporting in PCP Communication**

Error\_Class "Access" (06 hex):

Error Code	Additional Error Code	Description
05 hex	object-attribute-inconsistent	
	10 hex	bad-subindex The transmitted subindex does not match the object in use
	12 hex	too-much-data More data bytes were transmitted than can be used for writing the object
	13 hex	too-few-data Fewer data bytes were transmitted than were required for writing the object
08 hex	type-conflict	
	An attempt was made to give a variable a value outside its value range	

Error\_Class "Access" (08 hex):

Error Code	Additional Error Code	Description
00 hex	other	
	1 hex	not-projected The transmitted subindex in object PCV was bigger than the pre-set VLT® number
	2 hex	not-existent In write access in object PCV at least one VLT® was not found
	9 hex	bad-data-value The transmitted data value does not match the object intended for use

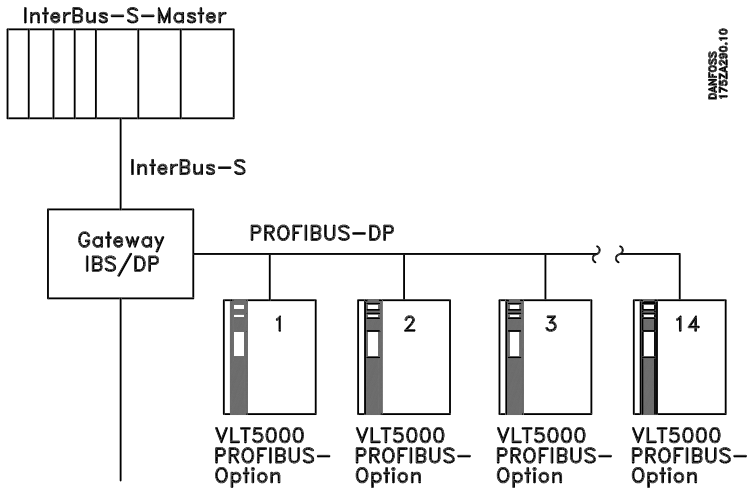


■ Technical data

Supply voltage: 24 V-DC ±10% 240 mA

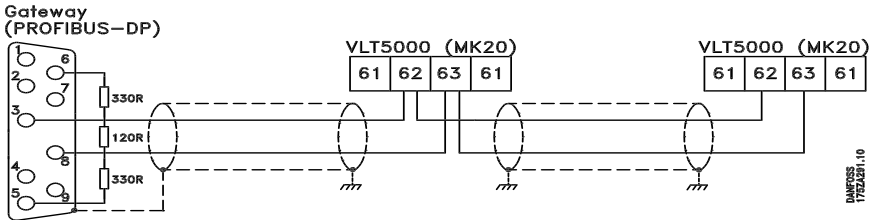
Oscillation test	[g]	0,7
Relative humidity	[%]	VDE 0160 5.2.1.2.
Ambient temperature (as in VDE 0160)	[°C]	0 → +60
EMC Standards applied	Emission	EN 50081-2, EN 55011
	Immunity	EN 50082-2, IEC 1000-4-2, IEC 1000-4-3, IEC 1000-4-4, ENV 50140
		ENV 50141

■ Examples of connection



### ■ Connection of the PROFIBUS bus wire

On the last VLT® the bus terminating resistor must be activated; for this purpose, switches S1 on the PROFIBUS Option Card is to be switched into the ON position.

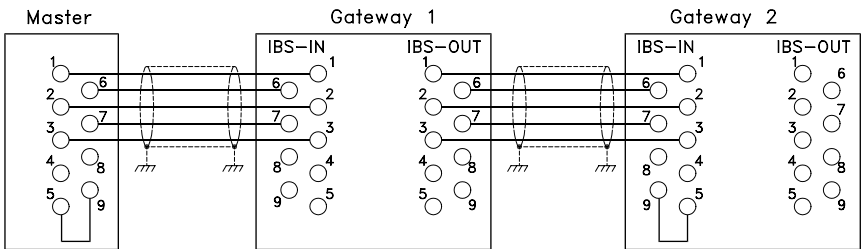


#### Note:

The cable screen must be connected to the VLT enclosure by means of the clamp placed beside the control card at the left side of the VLT.

At the Gateway the cable screen must be connected to the housing of the Sub-D connectors by means of the clamp inside the connector.

### ■ Connection of the Interbus-S bus wire



Pins 5 and 9 must be bridged in the IBS IN plug, if nothing is connected to the IBS OUT plug. (See above regarding connection of the cable screen).

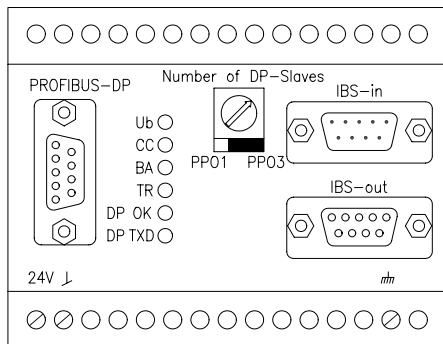
<b>■</b>	Display messages	TR
	Ub	PCP transmission is in progress
	all voltages are ok	
		DP ok
	BA	PROFIBUS-DP is ok, all participants selected on the rotary switch communicate
	InterBus-S active, Master is connected and active	
		DP TXO
	CC	the gateway is transmitting via the PROFIBUS-DP
	InterBus-S is ok, data exchange is occurring	

- Operating elements**
- Number of DP-Slaves
- Hex-rotary switch for the number of connected VLTs, setting > 14 leads to a flashing LED "DP ok"
  
- PP01 / PP03
- Slide switches for the selection of PFO Type1 or PFO Type3, all VLT® 3000 must be set to the same PFO Type.

The positions of these two switches are adopted at Power-Up. If these are displaced during operation, the LED "DP ok" flashes

- Terminals and plugs**
- 3 terminals:
- Voltage supply 24 V-DC (+ ; -);
- Earth
  
- 1 SUB-D-female plug 9 pol.:  
PROFIBUS-DP-connection
  
- 1 SUB-D-male plug 9 pol.:  
InterBus-S IN
  
- 1 SUB-D-female plug 9 pol.:  
InterBus-S-OUT

- Housing**
- Enclosure IP20
- Terminal rail housing LDG-A30
- Dimensions: 112x100x75 (HxLxW)



DANFOSS  
175H4236.10



■ **Example of program for Siemens S5-115U**

The following example shows how the communication to a VLT® 5000 connected to the gateway is controlled.

Also, in this example, the VLT® is parameterized by way of PCP Communication.

■ **Example layout**

S5-115U with an Interbus-S-Master module, IBS/DP-gateway with a VLT® 5000 that has a PROFIBUS Option Card

■ **Setting of the Interbus-S-Master**

Selection of start and operating mode:	Operating mode controlled DCB-Mode
W indow 1:	Basic address = P-range upwards of 32 Length = 64 Bytes
W indow 2:	Basic address = P-range upwards of 128 Length = 32 Bytes
W indow 3:	Basic address = P-range upwards of 200

■ **Required FBs**

(Function Blocks)

For communication via PCP, the following FCs are required - and can be obtained from Phoenix:

- FB 60 INITIB
- FB 62 CON/IND
- FB 63 CIH
- FB 66 REQ/RES
- FB 68 CONTROL
- FB 69 DEFINE
- FB 72 ADDRESS

■ **Program references**

DB21

is the Communication-Request-DB; this is where the orders for the PCP Communication are supported

DB23

is the Communication-Confirmation-DB; this is where the PCP Communication enters the responses

FW 20

is the activation word for PCP Communication

FW 22

is the reporting word for PCP Communication

F 224.1

activates the Download.

The Control word for the VLT® is located in QW 38, the Desired value in QW 40

The Status word of the VLT® is located in IW38, the Actual value in IW40

■ **Starting the VLT®**

The VLT® starts when the lower Bit-7 in QB 39 has been set. Stopping can be achieved by zeroing of this bit. In this context, there is a choice of motor coasting, quick-stop and normal stop.

- **Setting the PDU length in PCP**  
On the basis of the possibility of having 14 VLTs connected to the gateway, there is a need for an extended PDU length. The following example shows how in the SPS start-up the PDU length can be changed in ORL. For further information concerning the PCP Communication please see the manual for the InterBus-S-Master. All start-up components first branch into FB210, which carries out the configuration of the InterBus-S-Master assembly.

```

OB 20
    :JU  FB 210           ;Initialization of the IBS-module
NAME :ANLAUF
    :BE

OB 21
    :JU  FB 210           ;Initialization of the IBS-module
NAME :ANLAUF
    :BE

OB 22
    :JU  FB 210           ;Initialization of the IBS-module
NAME :ANLAUF
    :BE

OB 1
    :JU  FB 62
NAME :CON/IND
IBDB :  DB 9             InterBus Data block
CIDB :  FY 18           CON/IND caption table
T    :  T 1             Timer
TO   :  F 8.3          Time Out
    L  KB 1
    T  FY 201
    :O  F 0.0
    :ON F 0.0
    :=  F 0.1
    :
    :A  F 224.1         Activation for Download
    :A  F 200.5         Activation for FB1
    :JC FB 1           Parameterization VLT1
NAME :VLT-PARA
STRC :  F 200.0         Auxiliary flag
STR1 :  F 200.1         Auxiliary flag
STR2 :  F 200.2         Auxiliary flag
RDB  :  DB 23          Request-DB
CDB  :  DB 21          Confirmation-DB
VLT  :  FY 201         VLT Address
AKTI :  F 21.0         Activation for PCP Communication
PKEW :  F W 210        PCA to the VLT
PARW :  F W 212        Parameter value to the VLT
    
```

```

PKER :    F W  214          RA          from the VLT
PARR :    F W  216          Parameter value from the VLT
PCPR :    F    200.3
ERR  :    F    200.6
OK   :    F    200.7
:
:O    F    200.6          ;if error, reverse activation
:R    F    200.5
:
:A    F    200.7          ;OK-report from FB1
:A    F    224.1          ;Activation for Download
:JC   FB  2
NAME :PARAMETE
PDB  :    DB  100          DB with Download data
COUN :    F W  220          Parameter counter
ANZA :    KF  +17          Number of parameters
PKEW :    F W  210          PCA          to the VLT
PARW :    F W  212          Parameter value to the VLT
OK   :    F    200.7          OK-report from FB1
STRT :    F    200.5          Start for FB1
ZEIG :    F W  222          Parameter indicator
INIT :    F    224.0          Download initialized
:
:JU   FB  66
NAME :REQ/RES
IBDB :    DB  9            InterBus Data block
RRDB :    FY  19          REQ/RES caption table
T    :    T    3            Timer
TO   :    F    8.4          Time Out
:BE

FB 210
NAME :ANLAUF
:A    F    8.0
:ON   F    8.0
:S    F    8.0          Activation bit: INITIB
:S    F    10.0          ADDRESS
:L    KY  20,22          CON/IND,REQ/RES
:T    F W  18            DB PCP caption tables
M002 :A    F    8.0
:JC   FB  60
NAME :ANLAUF
IBDB :    DB  9            InterBus Data block

```

```

FEN3 : KF +200          Basic address: Window 3
AV : KF +1             Controlled operation / report released
RRST : DB 23          REQ/RES Standard DB
CIST : DB 21          CON/IND Standard DB
RRMW : KF +20         Activation word
CIMW : KF +22         Report word
CIFB : FY 63          Auxiliary driver CON/IND
T : T 0               Timer
STEP : FY 9           Internal flag byte
BUSY : F 8.0          Activation bit
TO : F 8.1            Time Out
RET : F 8.2           Return value
    A F 8.0
    ON F 8.2
    JC =M001
    STS
    BEU
M001 :JU FB 62
NAME :CON/IND
IBDB : DB 9           InterBus Data block
CIDB : FY 18          Caption-DB-CON/IND
T : T 1               Timer
TO : F 8.3            Time Out

:                      **** Change EDU length ****
:                      change in CRL, here only !!!

L KF +8
T FY 100              Function 8
L KF +25
T FY 101              DB-Number is 25
L KF +0
T FY 102              upwards of DW 1
AN F 8.0              No BUSY-Signal from FB60
A F 10.0              Pseudo-cycle
JC FB 69              DEFINE from IBS
NAME :DEFINE
IBDB : DB 9           InterBus DB
T : T 5               Timer No.5
FKT : FY 100          Function (8) Receive CRL
DB : FY 101           DB-Number
DW : FY 102           upwards of DW
BUSY : F 103.0
TO : F 103.1
    
```

```

RET      :      F   103.2
:
:AN      F   103.0      No BUSY from DEFINE FB69
:AN      F    8.0      No BUSY from FB60
:A       F   10.0      Pseudo-cycle
:JC      FB   72

NAME : ADDRESS
IBDB   :   DB   9      InterBus Data block
BUSY   :   F   10.0    Activation bit
T      :   T    2      Timer
IDDB   :   DB  10      DB: ID-Code list
IDDW   :   KF  +0      D W:
LBDB   :   DB  11      DB: Bus segment list
LBDW   :   KF  +0      D W:
INDB   :   DB  12      DB: IN-Address list
INDW   :   KF  +0      D W:
OUDB   :   DB  13      DB: OUT-Address List
OUDW   :   KF  +0      D W:
KRDB   :   DB  14      DB: KR-Address List
KRDW   :   KF  +0      D W:
GRDB   :   DB   0      DB: Group definitions
GRDW   :   KF  +0      D W:
MODE   :   F   10.5    Mode of indication
EREG   :   FY  12      Error Register
TO     :   F   10.1    Time Out
RET    :   F   10.2    Return value
:
:JU     FB   66

NAME : REQ/RES
IBDB   :   DB   9      InterBus Data block
RRDB   :   FY  19      Caption-DB-REQ/RES
T      :   T    3      Timer
TO     :   F   8.4     Time Out
:A     F    8.0       INITIB
:O     F  10.0       ADDRESS
:JC    =M002
:AN    F   10.2
:BEB
:STS
:BE

```

```

FB1
NAME: VLT-PARA ;Parameterization via IBS/DP
DECL :STRC      IH
DECL :STR1      IH
DECL :STR2      IH
DECL :RDB       B
DECL :CDB       B
DECL :VLT       IBY
DECL :AKTI      IH
DECL :PKEW      IW
DECL :PARW      IW
DECL :PKER      Q W
DECL :PARR      Q W
DECL :PCPR      IH
DECL :ERR       IH
DECL :OK        IH

:AN  =STRC      Initiate Request already sent?
:JC  =INIT      NO-> Inititate Request
:A   =STR1      Ctrl1=1 AND Ctrl2=0
:AN  =STR2      -> wait for Write_Conf
:JC  =WCON
:AN  =STR1      Ctrl1=0 AND Ctrl2=1
:A   =STR2      -> wait for Read_Conf
:JC  =RCON
:DO  =RDB

L    KH 8082      Identification Write_Request
T    DW 0
L    KH 0007      ParameterCounter = 7
T    DW 1
L    KH 0002      CR=2
T    DW 2
L    KH 5FA5      PCV-Object
T    DW 3
L    =VLT        VLT-Address is Subindex
T    DL 4
L    KB 8        No. of bytes = 8
T    DR 4
L    =PKEW      retrieve order for VLT
T    DW 5
L    =PARW      retrieve Para-value for VLT
T    DW 8
:A   F 0.1       VKE"1"

```

```

S      =STR1      Write_Request executed
:JU   =CON0      Delete conf and send order
:
W CON :          **** Wait for Write_Confirm.
:DO   =CDB      Open confirmation DB
L     DW 0      Retrieve conf_identification
L     KH 0000
:!=F          ;is 0 then wait again
:BEB
L     DL 3      retrieve Result
:><F          is not ZERO
:JC   =FAUL     -> FAULT
:
READ :          *** execute READ-REQUEST ****
:DO   =RDB      Open Request DB
L     KH 8081   Order identification Read_Request
T     DW 0
L     KH 0003   Parametercounter = 3
T     DW 1
L     KB 0
T     DR 4      No. of bytes = 0
:          CR; Object and VLTremain
A     F 0.1     VKE"1"
:RB   =STR1     STR1=0 AND STR2=1
S     =STR2     -> wait for Read_confirmation
:JU   =CON0     Delete conf and send order
:
R CON :          *** wait for READ-Confirmation
:DO   =CDB      Open confirmation DB
L     DW 0      Retrieve confirmation identification
L     KH 0000
:!=F          is 0 then wait again
:BEB
L     DL 3      Retrieve Result-Code
:><F          is not 0
:JC   =FAUL     -> FAULT
L     DW 4      Retrieve PCA received
:SLW  5         only Para-number
L     =PKEW     Retrieve Para-number sent
:SLW  5         Only Para-number
:!=F          equal then OK
:JC   =OK       Enter value
:JU   =READ     if NOT ZERO, then READ again

```



```

OK      :
        L   DW 4
        T   =PKER
        L   DW 7           Retrieve parameter value received
        T   =PARR
        A   F 0.1         VKE"1"
        S   =OK           Set OK-flag
        :RB =STR1
        :RB =STR2
        :BEU

INIT    :           *** INITIATE REQUEST ***
        A   =STR1         is not first run
        :JC =INIL
        :DO =RDB         Open Request component
        L   KH 808B       Order identification Initiate Request
        T   DW 0
        L   KH 0002       PC and CR
        T   DW 1         Parameter Counter
        T   DW 2         Invoke ID / CommRef
        L   KY 0,0
        T   DW 3         Control word, Access Group
        A   F 0.1         VKE"1"
        S   =STR1

CON0    :           *** Delete confirmation ***
        :DO =CDB         Search Confirmation module
        L   KH 0000       Delete entries
        T   DW 0
        T   DW 1
        T   DW 2
        T   DW 3
        T   DW 4
        T   DW 5
        A   F 0.1         VKE"1"
        S   =AKTI        Set activation marker
        :BEU

INIL    :           **** Wait for Response ****
        :B   =CDB         Confirmation DB on
        L   DW 0         Fetch confirmation identification
        L   KH 0000
        :!=F           is equal to 0-> no Confirmation
        :BEC          then continue searching
        L   DL 3         Retrieve quitting code
        L   KH 0000
    
```

```

        :!=F                is 0 -> no fault
        :JC    =INI2
FAUL  :                    **** FAULTS ****
        :A    F 0.1        VKE"1"
        :S    =ERR        Fault occurred
        :RB    =STRC       Reset first run
        :RB    =STR1
        :RB    =STR2
        :BEU

INI2  :                    *** Initiate Request OK ***
        :A    F 0.1        VKE"1"
        :S    =STRC       Set Inititate successful
        :RB    =STR1       Reset flag
        :BE

FB2
NAME : PARAMETER
DECL : PDB      B
DECL : COUN     IW
DECL : ANZA     DKF
DECL : PKEW     IW
DECL : PARW     IW
DECL : OK       IH
DECL : STRT     IH
DECL : ZEIG     IW
DECL : INIT     IH
:
        :DO    =PDB        Open data-DB
        :AN    =INIT
        :JC    =INIT
STRT :
        :LW    =ANZA       retrieve number
        :L     =COUN       retrieve present number
        :>F                    not end yet
        :JC    =WEIT       -> continue
        :RB    =OK         FINISHED
        :RB    =INIT       Reverse INIT
        :R     F 224.1
        :BEU              and END

```

```

WEIT  L   =ZEIG           Retrieve indicator
      T   FW 250
      :DO FW 250
      L   DW 0             Retrieve DW from indicator address
      L   KH 2000
      :+F                    +2000, for write identification
      T   =PKEW           is new PKEW
      L   =ZEIG
      I   1
      T   FW 250
      :DO FW 250
      L   DW 0             load DW to indicator address
      T   =PARW           is new parameter value
      L   =ZEIG
      L   KF +2
      :+F
      T   =ZEIG
      L   =COUN
      I   1
      T   =COUN           Counter + 1
      :RB =OK             OK for FB1 reset
      S   =STRT           and FB1 start anew
      :BEU

INIT  L   KH 0000
      T   =ZEIG
      T   =COUN
      S   =INIT
      :JU =STRT
      :BE

DB9
0    :   KH 0000;
1    :   KH 0000;

254 :   KH 0000;
255 :   KH 0000;

DB10 ;Ident-code list
0    KY 0,3             ;Number of parameters
1    KY 5,241          ;IBS-PB Gateway
2    KY 0,16           ;Diagnose Bit Register
3    KY 0,17           ;Diagnose Parameter Register
4    KY 0,0            ;Length code 1Unit PPO1=5
5    KY 0,0            ;"           6UnitsPPO1=15
    
```

```

DB11                                ;Bus segment list
0:  KY 0,3                          ;Number of parameters
1:  KY 0,0                          ;IBS<>PB Gateway
2:  KY 0,0                          ;Diagnose Bit Register
3:  KY 0,0                          ;Diagnose Parameter Register

DB12                                ;IN address list
0:  KY 0,3                          ;Number of parameters
1:  KY 0,32                         ;IBS<>PB Gateway
2:  KY 0,126                        ;Diagnose Bit Register
3:  KY 0,128                        ;Diagnose Parameter Register

DB13                                ;OUT address list
0:  KY 0,3                          ;Number of parameters
1:  KY 0,32                         ;IBS-PB Gateway
2:  KY 0,0                          ;Diagnose Bit Register
3:  KY 0,0                          ;Diagnose Parameter Register

DB14                                ;KR list
0:  KY 0,3                          ;Number of parameters
1:  KY 0,2                          ;IBS<>PB Gateway
2:  KY 0,0                          ;Diagnose Bit Register
3:  KY 0,0                          ;Diagnose Parameter Register

DB20                                ;CON/IND caption table
0:  KH 0000                         ;1. CODE;
1:  KH 0000                         ;  FC ;
2:  KH 0000                         ;  KR ;
3:  KY 0,0                          ;  DB,DW;
4:  KH 0000                         ;2. CODE;
5:  KH 0000                         ;  FC ;
6:  KH 0000                         ;  KR ;
7:  KY 0,0                          ;  DB,DW;
8:  KH 0000                         ;3. CODE;

52: KH 0000                         ;14.CODE;
53: KH 0000                         ;  FC ;
54: KH 0000                         ;  KR ;
55: KY 0,0                          ;  DB,DW;
56: KH 0000                         ;15.CODE;
57: KH 0000                         ;  FC ;
58: KH 0000                         ;  KR ;
59: KY 0,0                          ;  DB,DW;
60: KH 0000

```

```

DB21                                     ;CON/IND-Standard-DB
0:   KH 0000                             ;CODE ;
1:   KH 0000                             ; FC ;
2:   KH 0000                             ; KR ;
3:   KH 0000                             ;Body ;
4:   KH 0000

30:  KH 0000
31:  KH 0000
32:  KH 0000
33:  KH 0000
34:  KH 0000

DB22                                     ;REQ/RES caption table
0:   KH 0000                             ;1. CODE;
1:   KH 0000                             ; FC ;
2:   KH 0000                             ; KR ;
3:   KY 0,0                              ; DB,DW;
4:   KH 0000                             ;2. CODE;
5:   KH 0000                             ; FC ;
6:   KH 0000                             ; KR ;
7:   KY 0,0                              ; DB,DW;
8:   KH 0000                             ;3. CODE;

52:  KH 0000                             ;14.CODE;
53:  KH 0000                             ; FC ;
54:  KH 0000                             ; KR ;
55:  KY 0,0                              ; DB,DW;
56:  KH 0000                             ;15.CODE;
57:  KH 0000                             ; FC ;
58:  KH 0000                             ; KR ;
59:  KY 0,0                              ; DB,DW;
60:  KH 0000

DB23                                     ;REQ/RES-Standard-DB
0:   KH 808B                             ;CODE ;
1:   KH 0002                             ; FC ;
2:   KH 0002                             ; KR ;
3:   KH 0000                             ;Body ;
4:   KH 0000

```

```
58: KH 0000
59: KH 0000
60: KH 0000
61: KH 0000
62: KH 0000

DB25 ;Setting of the PDU length
0: KH 0003 ;Length 3 words
1: KH 0002 ; 0.entry CR=2
2: KH 0A80 ;10.entry 80 hex
3: KH 0C80 ;12.entry 80 hex

DB100 ;Download Data
0: KF +201 ;Parameter 201 Min.Frequency
1: KF +100 ;Value 100 = 10.0 Hz
2: KF +202 ;Parameter 202 Max.Frequency
3: KF +1000 ;Value 1000 = 100.0 Hz
4: KF +205
5: KF +1
6: KF +206
7: KF +2
8: KF +207
9: KF +3
10: KF +208
11: KF +4
12: KF +209
13: KF +30
14: KF +215
15: KF +111
16: KF +216
17: KF +222
18: KF +217
19: KF +333
20: KF +218
21: KF +444
22: KF +0
23: KF +0
24: KF +0
```

```
25: KF +1
26: KF +0
27: KF +2
28: KF +0
29: KF +3
30: KF +0
31: KF +4
32: KF +0
33: KF +5
```





<b>A</b>	<b>L</b>
Access to parameter change ..... 4	Length codes ..... 9
<b>B</b>	<b>M</b>
Baudrate ..... 4	Maximum PDU length ..... 13
Bus time out ..... 4	<b>N</b>
Bus time out function ..... 4	Notes concerning programming ..... 5
<b>C</b>	Number of VLT® 5000 ..... 10
Communication objects ..... 10	<b>O</b>
Communication reference list ..... 13	Operating elements ..... 16
Configuration of the frequency converter ..... 4	Overview ..... 2
Connection of the Interbus-S wire ..... 15	<b>P</b>
Connection of the PROFIBUS bus wire ..... 15	Parameter 502-512 ..... 4
Control word ..... 5	Parameter 800 ..... 4
<b>D</b>	Parameter 801 ..... 4
Display messages ..... 16	Parameter 803 ..... 4
<b>E</b>	Parameter 804 ..... 4
Error Code ..... 13	Parameter 904 ..... 4
Errorreporting in PCP Communication ..... 13	Parameter 918 ..... 4
Example of program for	Parameter 927 ..... 4
Siemens S5-115U ..... 17	Parameter 928 ..... 4
Example layout ..... 17	Parameter interface in Write.Request ..... 6
Example of connection ..... 14	Parameter interfaces in Read.Request ..... 7
<b>F</b>	Parameter Value, PV ..... 6
FMS/DP-selection ..... 4	Parameter Identification-Value, PIV ..... 6
Functional components ..... 17	Parameterization ..... 5
<b>H</b>	PCP-Communication ..... 10
Housing ..... 16	PCV-part of PPO1 ..... 12
<b>I</b>	PPO select ..... 4
ID-Code ..... 9	PPO Types 1/PPO Types 3 ..... 2
Index/Subindex, IND ..... 6	Program references ..... 17
InterBus-S Module error ..... 11	Properties of InterBus-S ..... 9
	Properties of PROFIBUS-DP ..... 3

R

Read access ..... 12  
Read.Request ..... 5  
Reference/Actual values ..... 5  
Reporting back ..... 2

S

Selected PPO Type ..... 10  
Setting of the Interbus-S-Masters ..... 17  
Setting the PDU length in PCP ..... 18  
Starting the VLT® ..... 17  
State of the frequency converter ..... 10  
Station address ..... 4  
Supported services ..... 13

T

Technical data ..... 14  
Terminals and plugs ..... 16

W

Write access ..... 12  
Write.Request ..... 5

Teil 1	■ Überblick .....	36
Teil 2	■ Eigenschaften der PROFIBUS-DP-Seite .....	37
	Konfiguration des Frequenzumrichters .....	38
	Anmerkungen für die Programmierung .....	39
	Steuerwort .....	39
	Soll- / Istwert .....	39
	Parametrierung .....	39
	Parameterschnittstelle bei Write.Request .....	40
	Parameterschnittstelle bei Read.Request .....	41
Teil 3	■ Eigenschaften der InterBus-S-Seite .....	43
	ID-Code .....	43
	Längencodes .....	43
	PCP-Kommunikation .....	44
	Kommunikationsobjekte .....	44
	Kommunikationsbeziehungsliste .....	47
	Fehlermeldungen bei PCP-Kommunikation .....	47
Teil 4	■ Technische Daten .....	48
	Anschlußbeispiel .....	48
	Anschluß der PROFIBUS Busleitung .....	49
	Anschluß der Interbus-S Busleitung .....	49
	Anzeigen .....	50
	Bedienelemente .....	50
	Klemmen und Stecker .....	50
	Gehäuse .....	50
Teil 5	■ Beispielprogramm für Siemens S5-115U .....	51
	■ Stichwortsverzeichnis .....	67

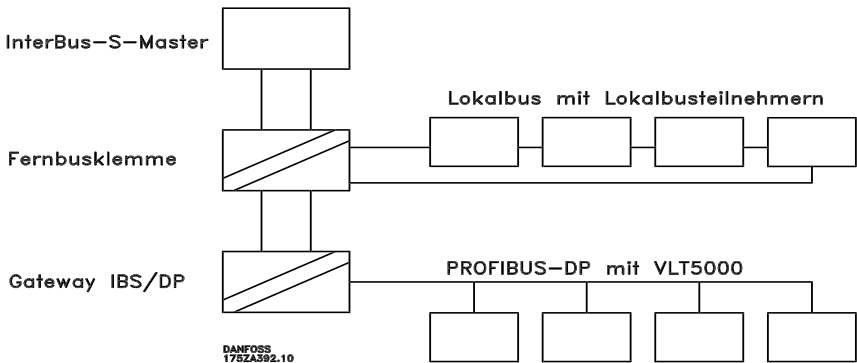
### ■ Überblick

Das InterBus-S / PROFIBUS-DP-Gateway dient dazu, Danfoss VLT® 5000 Frequenzumrichter am Feldbus-System InterBus-S betreiben zu können. Dazu setzt das Gateway die InterBus-S Telegramme auf PROFIBUS-DP-Telegramme um, welche dann zum VLT® gesendet werden.

In gleicher Weise erfolgt die Rückmeldung, hierbei setzt das Gateway die PROFIBUS-DP-Telegramme des VLT® um, welche dann mittels des InterBus-S wieder zur Steuerung übertragen werden.

Das Gateway ermöglicht den Anschluß von bis zu 14 VLT® 5000 mit PROFIBUS-Optionskarte. Das Gateway sendet permanent Nachrichten des gewählten PPO-Typs mit dem aktuellsten Prozeßdatenblock und dem aktuellsten Parameterblock an die VLT®.

Der Anschluß des Gateways erfolgt wie am InterBus-S üblich als Fernbus Teilnehmer. Jedoch setzt dieser nicht auf den InterBus-S-Lokallbus um, sondern auf PROFIBUS-DP. Daher entfallen auch die bekannten Beschränkungen des Lokalbusses wie, maximal 8 Teilnehmer, vorkonfektionierte Leitungen, maximale Ausdehnung 8 Meter usw.



Für die Kommunikation auf der PROFIBUS-DP-Seite kann man zwischen dem PPO-Typen 1 (Prozeßdaten und Parameterschnittstelle) oder PPO-Typen 3 (nur Prozeßdaten) wählen. Die Prozeßdaten werden wie E/As behandelt, d.h. sie liegen für den

Anwender im E/A-Bereich der SPS und werden mit jedem InterBus-S-Umlauf versendet. Die Parametrierung des VLT® über die Parameterschnittstelle wird mittels PCP-Kommunikation realisiert.

### ■ Eigenschaften der PROFIBUS-DP-Seite

Es können maximal 14 VLT's angeschlossen werden, diese können mit dem PPO-Typ1 (12Byte) bzw. PPO-Typ3 (4Byte) betrieben werden. Die Wahl des PPO-Typs erfolgt für alle VLT's, ein Mischbetrieb ist nicht zulässig und führt zu einer Fehlermeldung.

Die InterBus-S Ein/Ausgabedaten werden ohne Interpretation auf dem PROFIBUS-DP abgebildet. Mit einer Ausnahme, das Bit 10 des Steuerwortes (STW) wird invertiert. So wird erreicht, daß wenn die SPS in Stopp geht und alle Ausgänge zurücksetzt die angeschlossenen VLT's ebenfalls stoppen, ebenfalls wird erreicht, daß wenn der InterBus-S anläuft die VLT® 5000 sicher gestoppt bleiben.

Der PPO-Typ1 erlaubt die Parametrierung der VLT's, das Abfragen aller Werte und Parameter, inklusive Stör- und Diagnosewerten, sowie die Steuerung des VLT's mit Rückmeldung des Zustands.

Das PPO-Typ3 hingegen erlaubt nur die Steuerung und Rückmeldung des Zustands.

Für die Funktion und die Handhabung der Parameterschnittstelle beim PPO-Typ1 benutzen Sie bitte das Handbuch zur PROFIBUS-Optionskarte für VLT® 5000.

Die Baudrate auf der PROFIBUS-DP Seite ist 1,5mbaud, daß bedeutet das die maximale Buskabellänge 100 m beträgt, weitere Informationen können Sie dem Handbuch zur PROFIBUS für VLT 5000 entnehmen.

### !!! WICHTIG !!!

Vor dem einsetzen der PROFIBUS-Option-Card sollte der VLT eingeschaltet werden und der Parameter 620 auf „Initialisieren“ eingestellt sein. Danach das Gerät spannungslos schalten und die PROFIBUS-Option-Card einsetzen. Beim erneuten einschalten erfolgt sodann eine automatische Neu-Initialisierung.

Sollte dies in dieser Reihenfolge nicht möglich sein, bzw. ist die PROFIBUS-Option-Card bereits eingesetzt, so müssen vor dem einschalten des VLT's die Tasten DISPLAY/STATUS + MENU und OK gleichzeitig betätigt werden, dann das Netz einschalten und die drei Tasten solange gedrückt halten bis in der untersten Zeile des Displays die Meldung „Manuel Initialize“ erscheint (Siehe Seite 136 in MG.50.AX.03).

### ■ Konfiguration des Frequenzumrichters

Folgende Parameter sind einzustellen, bzw. zu kontrollieren:

#### Parameter 502-508

Motorfreilauf, Schnellstopp, DC-Bremmung, Start, Drehrichtung, Quittierung, Parametersatzanzahl, Drehzahlwahl, hier legen Sie für den jeweiligen Parameter fest, ob die Ansteuerung nur über "BUS", oder nur über "KLEMME", oder aus einer Kombination der beiden erfolgen soll. Bei reiner BUS-Ansteuerung sollten hier alle Parameter auf BUS eingestellt werden.

#### Parameter 512

Telegramm profil  
hier kann das Telegramm profil gewählt werden, die Profile sind im PROFIBUS Handbuch für VLT 5000 beschrieben. Danfoss empfehlen dass Danfoss Telegramm profil

#### Parameter 801

Baudrate,  
tragen Sie hier die Baudrate des Gateways ein, oder belassen Sie diese auf AUTO. Zur Zeit ist die Baudrate des Gateways fest auf 1,5 Mbaud gestellt.

#### Parameter 800

FMS / DP -Wahl,  
hier stellen Sie DP ein, dies ist ebenfalls in der Werkseinstellung voreingestellt.

#### Parameter 803

Zeit nach Busausfall,  
diese eingestellte Zeit legt fest, wann nach einem BUS-Ausfall eine Reaktion



Die am VLT® eingestellten Parameter werden erst nach dem Abschalten und erneuten Wiedereinschalten aktiv.

des Frequenzumrichters erfolgen soll.

#### Parameter 804

Funktion nach Bus-Fehler,  
hier legen Sie die Reaktion nach einem BUS-Ausfall fest.

#### Parameter 904

Aktuelles PPO-Write,  
tragen Sie hier das von Ihnen gewünschte Telegramm ein. Z.B. für PPO-Typ1 tragen Sie 900, für PPO-Typ3 902 ein. Die PPO-Typen sind im Handbuch zur PROFIBUS für VLT 3000 beschrieben.

#### Parameter 918

Teilnehmer Adresse,  
hier legen Sie die Stationsadresse fest. Der Bereich für den Betrieb am Gateway ist von 1-14, wobei auf eine durchgehende Adressierung zu achten ist. Der Adressbereich beginnt immer bei „1“ und endet bei der Adresse der maximal vorhandenen Geräte. Die physikalische Lage am BUS hat keinen Einfluß auf die Adressierung.

#### Parameter 927

Bedienhöheit PKW,  
hier können Sie festlegen ob die Parameter über den BUS geändert werden können, (Mit PROFIBUS), bzw. ob diese Möglichkeit unterdrückt werden soll, (Ohne PROFIBUS)

#### Parameter 928

Führungshöheit,  
wie 927 jedoch legen Sie hier fest ob die Steuerung über dem PROFIBUS erfolgen soll (Mit PROFIBUS), oder nicht (Ohne PROFIBUS)

Alle übrigen Parameter sind entsprechend der Anwendung, die man betreiben möchte, wie im Produkthandbuch beschrieben einzustellen.

■ **Anmerkungen für die Programmierung:**

Der Frequenzumrichter kann nun über den BUS gesteuert werden, dies erfolgt durch einfaches setzen oder lesen von E/A-Bits.

■ **Steuerwort**

Das Bit Nummer 10 muß entgegen der Aussage im Produkthandbuch zur PROFIBUS-Optionskarte zum Steuern auf „0“ gesetzt sein, damit der VLT das Steuerwort akzeptiert. Das Gateway invertiert dann dieses Bit automatisch in eine „1“ um.

Das Steuerwort für:

starten mit Rechtsfeld lautet

047F hex bzw. 0000 0010 0111 1111

starten mit Linksfeld lautet

847F hex bzw. 0100 0100 0111 1111.

stoppen mit normaler Rampe (Param.

208) lautet 044F hex bzw. 0000 0100

0100 1111,

stoppen mit alternativ Rampe (Param.

210) lautet 064F hex bzw. 0000 0110

0100 1111.

■ **Soll- / Istwert**

Der Sollwert sowie auch der zurückgelieferte Istwert des VLT's, wird in normierter Form gehandhabt. Der Einstellbereich erstreckt sich von -10000 für -100,00% bis auf +10000 für +100,00%. Wobei 100,00% 4000 hex entsprechen. Negative Sollwerte werden durch bilden des Zweierkomplements erzeugt.

Beispiel:

Min.Frequenz = 0Hz;

Max.Frequenz = 50Hz

Gewünscht sind 25Hz Rechtsfeld

entsprechend 50% der Maximaldrehzahl:

50,00% = 2000 hex =

0010 0000 0000 0000Binär

Für 25Hz Linksfeld = -50% der Maximaldrehzahl:

50,00% = 2000 hex =

0010 0000 0000 0000Binär

umwandeln des positiven in einen negative Sollwert:

```

0010 0000 0000 0000 Binär
-> 1101 1111 1111 1111 Binär Einer-Komplement
-> + _____ 1 Binär
= 1110 0000 0000 0000 Binär Zweier-Komplement
-50,00% = E000 hex = 1110 0000 0000 0000Binär
    
```

Wenn Sie mehr über das Steuerwort, Zustandsmaschine, Sollwert usw. Wissen möchten so verweisen wir auf das Produkthandbuch zur PROFIBUS-Optionskarte.

■ **Parametrierung**

Die Parametrierung über den Bus ist nur bei Verwendung des PPO-Typ1 möglich.

Die Parametrierung erfolgt über PCP-Kommunikation. Die Vorgehensweise ist folgende:

Auftrag zum IBS-Master:	Meldung Von VLT an den Master:
Write.Request	Confirmation positiv Confirmation negativ, Meldung des Fehlercodes
Read.Request	Confirmation positiv enthält die Daten der Rückmeldung des VLT® Confirmation negativ, Meldung des Fehlercodes

- Parameterschnittstelle bei Write.Request  
Die Parameterschnittstelle (PKW) des VLT® 5000 besitzt insgesamt 4 Worte. Hiermit ist es möglich Parameter zu lesen, zu schreiben, Arrays zu lesen und zu schreiben usw.

Die Parameterschnittstelle im einzelnen:

1. Wort (Parameter-Kennung-Wert, PKE), in den unteren 11 Bit (Bit 0..10) tragen Sie die Parameternummer ein, in den oberen vier Bit (Bit 12..15) wählen Sie die Aktion.

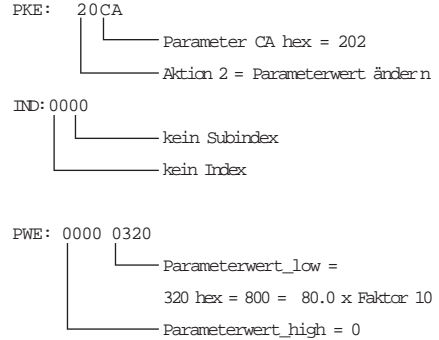
2. Wort (Index/Subindex, IND), das Byte „Index“ wird nur benutzt, wenn Sie auf Elemente eines Arrays zugreifen wollen. In diesem Fall tragen Sie hier den Index des Elementes ein. Bei normalen Parameteraktionen bleibt dieses Byte unbenutzt. Das Byte Subindex ist für spätere Erweiterungen vorgesehen und bleibt unbenutzt.

3. + 4. Wort (Parameterwert, PWE), hier wird bei Schreibgriffen der Wert für den angewählten Parameter eingetragen. Das 3. Wort ist das High-Wort, das 4. Wort das Low-Wort. Das 3. Wort wird nur benutzt, wenn Parameterwerte größer 65535 übertragen werden sollen.

Da die zu übertragenden Werte nicht im Kommaformat übertragen werden, muß der jeweilige Parameterwert noch mit einem Faktor multipliziert werden. Den jeweiligen Faktor des Parameters entnehmen Sie dem Handbuch zur PROFIBUS-Optionskarte.

Beispiel:

Es soll am VLT® 5000 mit der Busadresse 2 der Parameter 202, maximal Frequenz, auf 80Hz geändert werden,





Der Auftrag auf dem PCP-Kanal sieht dann folgendermaßen aus:

Alle Werte in hex.

Write.Request	
Anzahl nachfolgender Werte	
invoke_id	Kommunikations-Referenz
Index	
VLT-Adresse	Anzahl Bytes
PKE	
IND	
High_Parameterwert	
Low_Parameterwert	

8082	
007	
00	02
5FA5	
02	08
20CA	
0000	
0000	
0320	

Die erfolgreiche Ausführung wird mittels einer positiven Confirmation angezeigt.

Sollen alle VLT s gleichzeitig parametrieren werden, so ist anstelle der VLT-Adresse eine Null einzutragen.

Daran anschließen muß die Länge der Daten angegeben werden. Da diese aber nur für den Maximalausbau ausgelegt ist, muß hier 112Byte Länge eingegeben werden. Nun folgen die Daten für die VLT's in der Reihenfolge ihrer Adressierung.

### ■ Parameterschnittstelle bei Read.Request

Antworten des VLT® auf einen zuvor mittels Write.Request initiierten Auftrags. Daten liegen nur bei einer positiven Confirmation vor, bei einer negativen Confirmation wird der Fehlercode zurückgeliefert.

1. Wort (Parameter-Kennung-Wert, PKE), in den unteren 11 Bit (Bit 0..10) trägt der VLT® die Parameternummer ein, in den oberen vier Bit (Bit 12..15) erscheint der Typ der Antwort.

2. Wort (Index/Subindex, IND), das Byte „Index“ wird nur eingetragen, wenn Sie auf Elemente eines Arrays zugegriffen haben. Bei normalen Parameteraktionen bleibt dieses Byte unbenutzt. Das Byte Subindex ist für spätere Erweiterungen vorgesehen und bleibt unbenutzt.

3. + 4. Wort (Parameterwert, PWE), hier trägt der VLT® den Wert für den ausgewählten Parameter eingetragen. Das 3. Wort ist das High-Wort, das 4. Wort das Low-Wort. Das 3.Wort wird nur benutzt, wenn Parameterwerte größer 65535 übertragen wurden.

Da die zu übertragenden Werte nicht im Kommaformat übertragen werden, muß der jeweilige Parameterwert noch durch einen Faktor geteilt werden, um den tatsächlichen Wert zu erhalten. Den jeweiligen Faktor des Parameters entnehmen Sie dem Handbuch zur PROFIBUS-Optionskarte.

Beispiel:

Es soll die Antwort des VLT® 5000 auf den oben mittels Write.Request gesendeten Auftrag gelesen werden.

Der Auftrag auf dem PCP-Kanal sieht dann folgendermaßen aus:

Alle Werte in hex.

Read.Request	
Anzahl nachfolgender Werte	
invoke_id	Kommunikations-Referenz
Index	
VLT-Adresse	Anzahl Bytes

8081	
0003	
00	02
5FA5	
02	00

Nach dem ausführen des Read.Request, erhält man folgende Daten:

PKE: 10CA  
       ├── Parameter CA hex = 202  
       └── Aktion 1 = Parameterwert

übertragen

IND: 0000  
       ├── kein Subindex  
       └── kein Index

PWE: 0000 0320  
       ├── Parameterwert\_low =  
           320 hex = 800 =  
           80.0 x Faktor 10  
       └── Parameterwert\_high = 0

### ■ Eigenschaften der InterBus-S-Seite

#### ■ ID-Code

Der ID-Code des Gateways : F1hex ; 241dec

32 Worte, davon:

Busbreite 4 bis 32 Worte

- 4 Worte PCP
- 0 - 28 Worte Prozeßdatenkanal  
(2 Worte je VLT®) Ein / Ausgabe

#### Längencodes

- Da beim InterBus-S nicht alle Registerbreiten möglich sind müssen bei bestimmten Konfigurationen des Gateways Füllwörter eingetragen werden. Weiterhin sind nicht alle InterBus-S-Master in der Lage einen 4 Wort breiten PCP-Kanal zu bedienen (Firmware Version vor 4.0). In

diesem Fall müssen zur Berechnung der Längencodes weitere 3 Worte vom PCP-Kanal berücksichtigt werden. Die entsprechende Angabe des Längencodes für Ihre Konfiguration entnehmen Sie folgender Tabelle:

Anzahl VLT® 5000	InterBus-S Busbreite	Längencode 1 Wort PCP	Längencode 4 Worte PCP
0	4	03 hex	00 hex
1	6	05 hex	02 hex
2	8	07 hex	04 hex
3	10	09 hex	06 hex
4	12	0B hex	08 hex
5	14	0D hex	0A hex
6	16	0F hex	0C hex
7	24	17 hex	14 hex
8	24	17 hex	14 hex
9	24	17 hex	14 hex
10	24	17 hex	14 hex
11	32	1F hex	1C hex
12	32	1F hex	1C hex
13	32	1F hex	1C hex
14	32	1F hex	1C hex

### ■ PCP-Kommunikation

### ■ Kommunikationsobjekte

Anzahl der VLT® 5000

Index:	5FA0 hex
Symbol:	inv_count
Datentyp:	Unsigned8

Hiermit kann die am Drehschalter eingestellte Anzahl der am PROFIBUS erwarteten Frequenzrichter gelesen werden. Dies ist nicht immer die Anzahl der tatsächlich angeschlossenen Frequenzrichter.

Zustand der Frequenzrichter

Index:	5FA2 hex
Symbol:	inv_state
Datentyp:	Subindex1: Unsigned 8 Subindex2: Unsigned 8
Zugriff	Nur Lesen

Wenn alle am Drehschalter eingestellten VLT® am Bus störungsfrei arbeiten, liefern beide Subindizes eine Null. Beim auftreten einer Kommunikationsstörung liefert Subindex1 die niedrigste Adresse, bei der ein Kommunikationsfehler auftrat, während der Subindex2 nähere Auskunft über den Fehler gibt.

Eingestellter PPO-Typ

Index:	5FA1 hex
Symbol:	PPO_type
Datentyp:	Unsigned8
Zugriff	Nur Lesen

PPO-Typ	ppo_type
PPO1	01 hex
PPO3	03 hex

Hiermit kann der am Schiebeschalter eingestellte PPO-Typ gelesen werden.

inv_state.2	Fehlertyp
01 hex	VLT® nicht gefunden
02 hex	VLT® nicht im Datenaustausch
03 hex	Master nicht aktiv

### InterBus-S Modulfehler

Index:	5FA3 hex
Symbol:	stat_err
Datentyp:	Boolean
Zugriff	Lesen/Schreiben

Erkennt ein InterBus-S-Slave einen Fehler, so kann er dem InterBus-S-Master einen Modulfehler melden. Der Master verwirft daraufhin den letzten Datenzyklus und startet einen Identifikationszyklus, mit dem der Master den Teilnehmer ermittelt, welcher den Modulfehler gemeldet hat.

Mit stat\_err kann eingestellt werden, ob bei einem Fehler auf der PROFIBUS-DP-Seite ein Modulfehler ausgelöst werden soll.

stat\_err = FF hex Modulfehler wird ausgelöst

stat\_err = 00 hex Modulfehler wird nicht ausgelöst

Als Voreinstellung ist FF hex eingestellt, d.h. der Modulfehler als Fehlermeldung ist aktiviert.

### Baudrate auf dem PROFIBUS-DP

Index:	5FA4 hex
Symbol:	baud_rate
Datentyp:	Unsigned8
Zugriff	Lesen/Schreiben

baud_rate	Baudrate
00 hex	9.600 Bit/s
01 hex	19.200 Bit/s
02 hex	93.750 Bit/s
03 hex	187.500 Bit/s
04 hex	500.000 Bit/s
05 hex	750.000 Bit/s
06 hex	1.500.000 Bit/s

Hiermit kann die Baudrate mit welcher auf der PROFIBUS-Seite gearbeitet wird, gelesen und auch eingestellt werden. Um die Baudrate zu ändern wird der PROFIBUS komplett gestoppt und dann mit der neuen Übertragungsgeschwindigkeit reinitialisiert.



Zur Zeit ist es nicht möglich, die Baudrate zu stellen. Die Baudrate ist fest auf 1.5Mbaud eingestellt und das Objekt ist nur zum Lesen freigegeben.

PKW-Teil von PPO1

Index:	5FA5 hex
Symbol:	PCV
Datentyp:	14 OCTET_STRING mit je 8 Octet (bytes)
Zugriff	Lesen/Schreiben

Dieses Objekt dient zum Lesen und Schreiben der ersten 8 Octets (PKW-Teil) vom PPO-Typ1. Die 14 Elemente des Objekts 5FA5 hex können einzeln als auch gemeinsam gelesen und geschrieben werden.

Um den PKW-Teil eines der angeschlossenen VLT<sup>®</sup> zu lesen oder zu schreiben wird bei dem Write.Request zusätzlich zum Index noch die Nummer des VLT's als Subindex übergeben. Siehe auch das Beispiel auf Seite 6.

Schreibzugriffe:

Schreibversuche werden nur dann mit einer positiven Confirmation quittiert, wenn der neu geschriebene Wert an den oder die Frequenzrichter geschrieben werden kann, also wenn :

- 1 PPO-Typ1 benutzt wird,
- 2 der PROFIBUS-DP-Master im Zustand Operate ist,
- 3 sich alle am PROFIBUS-DP erwarteten Frequenzrichter im Datenaustausch befinden
- 4 Mindestens einmal wurden die neuen Daten auf dem PROFIBUS-DP gesendet und empfangen.

Lesezugriffe:

Um die Rückgabewerte der VLT's zu erhalten, muß die Struktur gelesen werden.

Die Daten werden als Parameter interpretiert und mit dem entsprechenden Wert des Prozeßdatenkanals zu einem Telegramm zusammengesetzt. Eine Plausibilitätsprüfung findet nicht statt.

Auf die beiden PPO-Objekte kann nur entsprechend der Schalterstellung auf der Frontplatte zugegriffen werden, d.h. wenn der Schalter auf PPO-Typ3 steht, kann das Objekt PPO-Typ1 nicht gelesen oder geschrieben werden.

### ■ Kommunikationsbeziehungsliste

Folgende Änderungen sind an der KBL (Kommunikationsbeziehungsliste) erforderlich. Dies kann über die SPS erfolgen oder über das PC-Programm SYSSWT. Die Vorgehensweise für eine Siemens-SPS, ist aus dem Beispielprogramm ersichtlich.

maximum PDU length:

high prior requests / responses: 00 hex  
 low prior requests / responses: 80 hex  
 high prior indications / confirations: 00 hex  
 low prior indications / confirations: 80 hex

supported services:

request / responses: 80 hex; 30 hex; 00 hex  
 indication / confirmation: 00 hex; 00 hex;  
 00 hex

Im Serverbetrieb werden folgende Dienste unterstützt:

get\_OV\_long  
 read\_variables  
 write\_variables

### ■ Fehlermeldungen bei PCP-Kommunikation

Error\_Class „Access“ (06 hex):

Error Code	Additional Error Code	Beschreibung
05 hex		object -attribut-inconsistent
	10 hex	bad-subindex Der übergebene Subindex passt nicht zum Object, wird
	12 hex	too-much-data Es wurden mehr Datenbytes übergeben als zum S verwendet werden können
	13 hex	too-few-data Es wurden weniger Datenbytes übergeben als zum benötigt werden
08 hex		type-conflict Es wurde versucht einer Variablen einen Wert ausserhalb ih

Error\_Class „Access“ (08 hex):

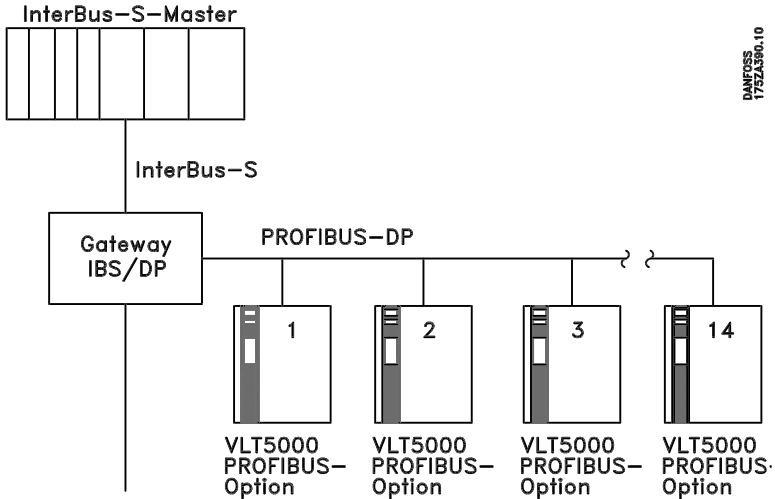
Error Code	Additional Error Code	Beschreibung
00 hex	other	
	1 hex	not-projected Der übergebene Subindex beim Object PCV war g eingestellte VLT@-Anzahl
	2 hex	not existent Beim Schreibzugriff auf das Object PCV wird mind gefunden
	9 hex	bad-data-value Der übergegebene Datenwert passt nicht zum Obj wurde zuzugreifen

### ■ Technische Daten

Versorgungsspannung: 24 V-DC ±10% 240mA

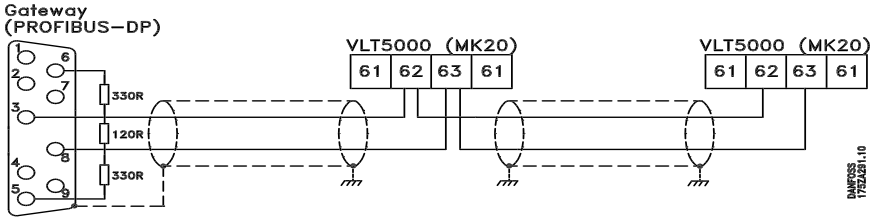
Schwingungstest	g	0,7
Relative Feuchtigkeit	[%]	VDE 0160 5.2.1.2.
Umgebungstemperatur (lt. VDE 0160)	[°C]	0 → +60
Angewandte EMV-Standards	Emission	EN 50081-2, EN 55011
	Immunität	EN 50082-2, IEC 1000-4-2, IEC 1000-4-3, IEC 1000-4-4, ENV 50140
		ENV 50141

### ■ Anschlußbeispiel





- Anschluß der PROFIBUS Busleitung  
 Am letzten VLT® muß der Busabschlußwiderstand aktiviert werden, dazu sind die Schalter 01 auf der PROFIBUS-Optionskarte beide in ON-Stellung zu bringen.



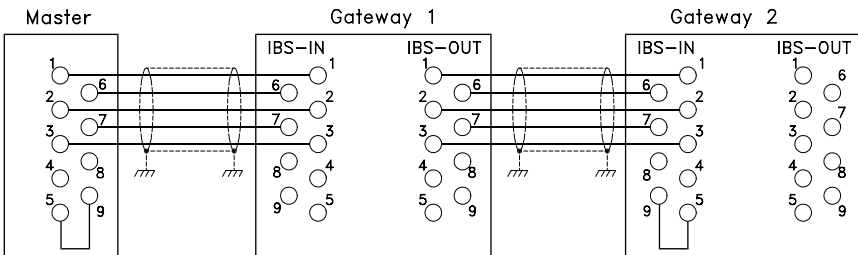
DANFOSS 1752A281.10

### Bitte beachten:

Der Kabelschirm wird mit dem VLT-Gehäuse verbunden. Dazu wird die Klemmschraube angewandt, die unter der Steuerkarte auf der linken Seite des Frequenzumrichters angebracht ist oder an die Oberfläche der Gehäuse (Buchformat).

Am Gateway wird der Kabelschirm mit dem Gehäuse der Sub-D Verbindungsglieder verbunden. Dazu wird die Klemmschraube angewandt, die auf der Innenseite des Verbindungsglieds angebracht ist.

- Anschluß der Interbus-s Busleitung



DANFOSS 1752A281.10



Pin 5 und 9 muß gebrückt werden im IBS IN Stecker wenn am IBS out Stecker nichts angeschlossen ist.  
 (Für die Verbindung des Kabelschirmes, siehe oben).

### ■ Anzeigen

Ub

alle Spannungen sind in Ordnung

BA

InterBus-S aktiv, Master ist angeschlossen und aktiv

CC

InterBus-S in Ordnung, Datenaustausch findet statt

TR

PCP-Übertragung läuft

DP ok

PROFIBUS-DP ist in Ordnung, alle am Drehschalter angewählten Teilnehmer kommunizieren

DP TXO

das Gateway sendet über PROFIBUS-DP

### ■ Bedienelemente

(Anzahl der VLT's)

Hex-Drehschalter für die Anzahl angeschlossener VLT's, Einstellungen > 14 führen zu einem blinken der LED „DP ok“

PPO1 / PPO3

Schiebeschalter für die Anwahl PPO-Typ1 oder PPO-Typ3, alle VLT® 3000 müssen auf den gleichen PPO-Typen eingestellt werden.

Die Stellung dieser beiden Schalter werden bei Power-Up übernommen. Werden diese während des Betriebs verstellt, so blinkt die LED „DP ok“

### ■ Klemmen und Stecker

3 Klemmen:

Spannungsversorgung 24V-DC (+ ; -);  
Erde

1 SUB-D-Buchse 9 pol.:  
PROFIBUS-DP-Anschluß

1 SUB-D-Stecker 9 pol.:  
InterBus-S IN

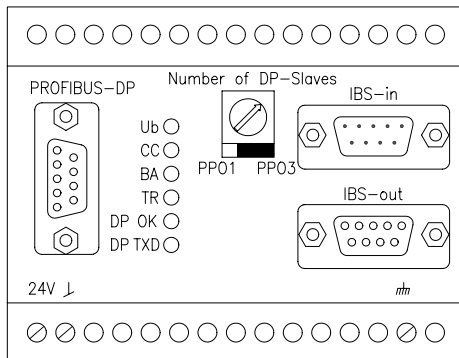
1 SUB-D-Buchse 9 pol.:  
InterBus-S-OUT

### ■ Gehäuse

Schutzart IP20

Klemmschienenengehäuse LDG-A30

Maße: 112 × 100 × 75 (H × L × B)



### ■ Beispielprogramm für Siemens S5-115U

Das folgende Beispiel zeigt wie die Kommunikation zu einem VLT® 5000 welcher an das Gateway angeschlossen ist gesteuert wird.

Ebenfalls wird in diesem Beispiel der VLT mittels der PCP-Kommunikation parametrisiert.

### ■ Beispielaufbau

Siemens S5-115U mit einer Interbus-S-Master-baugruppe, IBS/DP-Gateway mit einem VLT® 5000 mit PROFIBUS-Optionskarte.

### ■ Einstellung des Interbus-S-Masters

Anlauf- und Betriebsartenwahl:	Betriebsart-gesteuert DCB-Mode
Fenster 1:	Basisadresse = P-Bereich ab 32 Länge = 64 Byte
Fenster 2:	Basisadresse = P-Bereich ab 128 Länge = 32 Byte
Fenster 3:	Basisadresse = P-Bereich ab 200

### ■ Benötigte FB's

(Funktionsbausteine)

Für die Kommunikation mittels PCP werden folgende FB's, welche bei Phoenix bezogen werden können, benötigt:

- FB 60 INITIB
- FB 62 CON/IND
- FB 63 CIH
- FB 66 REQ/RES
- FB 68 CONTROL
- FB 69 DEFINE
- FB 72 ADDRESS

### ■ Hinweise zum Programm

DB21

ist der Kommunikations-Request-DB, hier werden die Aufträge für die PCP-Kommunikation hinterlegt.

DB23

ist der Kommunikations-Confirmation-DB, hier trägt die PCP-Kommunikation die Antworten ein

MW 20

ist das Aktivierungswort für PCP-Kommunikation

MW 22

ist das Meldungswort für PCP-Kommunikation

M 224.1

aktiviert den Download.

Das Steuerwort des Frequenzumrichters befindet sich im AW 38, der Sollwert im AW 40

Das Statuswort des Frequenzumrichters befindet sich im EW 38, der Istwert im EW 40

### Starten des VLT

- Der VLT Frequenzumrichter startet wenn die unteren 7-Bit im AB39 gesetzt sind. Stoppen kann durch rücksetzen eines dieser Bits erfolgen, wobei zwischen Motorfeilauf, Schnellstopp und Normalstopp gewählt werden kann.

Beispielprogramm für Siemens S5-115U

- Einstell der PDU-Länge bei PCP  
Aufgrund der Möglichkeit 14 VLT's an das Gateway anzuschließen benötigt dieses eine vergrößerte PDU-Länge. Das folgende Beispiel zeigt, wie im Anlauf der SPS, die PDU-Länge in der KBL geändert wird. Für weitere Informationen bezüglich der PCP-Kommunikation verweisen wir auf das Handbuch des InterBus-S-Masters.  
Alle Anlauf-Bausteine verzweigen zuerst zum FB210 welcher die Konfiguration der InterBus-S-Masterbau-gruppe vornimmt.

```

OB 20
    :SPA FB 210           ;Initialisierung der IBS-Baugruppe
NAME :ANLAUF
    :BE

OB 21
    :SPA FB 210           ;Initialisierung der IBS-Baugruppe
NAME :ANLAUF
    :BE

OB 22
    :SPA FB 210           ;Initialisierung der IBS-Baugruppe
NAME :ANLAUF
    :BE

OB 1
    :SPA FB 62
NAME :CON/IND
IBDB :   DB 9             InterBus Datenbaustein
CIDB :   MB 18           CON/IND Kopftabelle
T     :   T 1            Timer
TO    :   M 8.3          Time Out
      L   KB 1
      T   MB 201
      :O  M 0.0
      :ON M 0.0
      :=  M 0.1
      :
      :U  M 224.1        Aktivierung für Download
      :U  M 200.5        Aktivierung fuer FBI
      :SPB FB 1          Parametrierung VLT1

NAME :VLT-PARA
STRC :   M 200.0         Hilfsmerker
STR1  :   M 200.1         Hilfsmerker
STR2  :   M 200.2         Hilfsmerker
RDB   :   DB 23          Request-DB
CDB   :   DB 21          Confirmation-DB
VLT   :   M B 201        VLT-Adresse
AKTI  :   M 21.0         Aktivierung für PCP-Kommunikation
PKEW  :   M W 210        IRE           zum VLT
PARW  :   M W 212        Parameterwert zum VLT
    
```

```

PKER :      M W 214          EKE                vom VLT
PARR :      M W 216          Parameterwert vom VLT
ERR  :      M   200.6
OK   :      M   200.7
:
:O    M   200.6              ;Bei Fehler aktivierung zuruecks
:R    M   200.5
:
:U    M   200.7              ;OK-Meldung von FB1
:U    M   224.1              ;Aktivierung für Download
:SPB  FB  2

NAME :PARAMETE
PDB  :      DB 100          DB mit Download-Daten
COUN:      M W 220          Parameterzähler
ANZA :      KF +17          Anzahl der Parameter
PKEW:      M W 210          EKE                zum VLT
PARW :      M W 212          Parameterwert zum VLT
OK   :      M   200.7          OK-Meldung vom FB1
STRT :      M   200.5          Start für FB1
ZEIG :      M W 222          Parameterzeiger
INIT :      M   224.0          Download initialisiert
:
:SPA  FB 66

NAME :REQ/RES
IBDB :      DB  9          InterBus Datenbaustein
RRDB :      M B 19          REQ/RES-Kopftabelle
T     :      T  3          Timer
TO    :      M   8.4          Time Out
:BE

FB 210
NAME :ANLAUF
:U    M   8.0
:ON   M   8.0
:S    M   8.0              Aktivierungs-Bit: INITIB
:S    M  10.0              ADDRESS
:L    KY 20,22             CON/IND,REQ/RES
:T    M W 18              DB PCP-Kopftabellen
M002 :U    M   8.0
:SPB  FB 60

NAME :INITIB
IBDB :      DB  9          InterBus Datenbaustein

```

```

FEN3 :    KF +200          Basisadresse: Fenster 3
AV :     KF +1            gest.Betrieb / Meldung freigeben
RRST :   DB 23           REQ/RES Standard DB
CIST :   DB 21           CON/IND Standard DB
RRMW :   KF +20          Aktivierungswort
CIMW :   KF +22          Meldewort
CIFB :   FB 63           Hilfstreiber CON/IND
T :      T 0            Timer
STEP :   M B 9          Internes Merkerbyte
BUSY :   M 8.0          Aktivierungs-Bit
TO :     M 8.1          Time Out
RET :    M 8.2          Returnwert
      :U M 8.0
      :ON M 8.2
      :SPB =M001
      :STS
      :BEA
M001 :SPA FB 62
NAME :CON/IND
IBDB :   DB 9           InterBus Datenbaustein
CIDB :   M B 18        Kopf-DB-CON/IND
T :      T 1           Timer
TO :     M 8.3          Time Out

      :                **** PDU-Laenge aendern ****
      :                in der KBL ändern, nur hier !!!

      :L KF +8
      :T M B 100        Funktion 8
      :L KF +25
      :T M B 101        DB-Nummer ist 25
      :L KF +0
      :T M B 102        ab DW 1
      :UN M 8.0         Kein BUSY-Signal von FB60
      :U M 10.0         Pseudo-Zyklus
      :SPB FB 69        DEFINE von IBS

NAME :DEFINE
IBDB :   DB 9           InterBus DB
T :      T 5           Timer Nr 5
FKT :   M B 100        Funktion (8) Receive KBL
DB :    M B 101        DB-Nummer
DW :    M B 102        ab DW
BUSY :   M 103.0
TO :    M 103.1

```

```

RET      :      M   103.2
:
:UN      M   103.0      Kein BUSY von DEFINE FB69
:UN      M    8.0       Kein BUSY von FB60
:U       M   10.0       Pseudo-Zyklus
:SPB    FB   72

NAME :ADDRESS
IBDB    :      DB   9      InterBus Datenbaustein
BUSY    :      M   10.0     Aktivierungs-Bit
T       :      T    2      Timer
IDDB    :      DB  10      DB: ID-Code-Liste
IDDW    :      KF  +0      D W:
LBDB    :      DB  11      DB: Bussegment-Liste
LBDW    :      KF  +0      D W:
INDB    :      DB  12      DB: IN-Adress-Liste
INDW    :      KF  +0      D W:
OUIDB   :      DB  13      DB: OUT-Adress-Liste
OUIDW   :      KF  +0      D W:
KRDB    :      DB  14      DB: KR-Adress-Liste
KRDW    :      KF  +0      D W:
GRDB    :      DB   0      DB: Gruppendefinitionen
GRDW    :      KF  +0      D W:
MODE    :      M   10.5     Mode der Anzeige
EREG    :      M B  12     Error Register
TO      :      M   10.1     Time Out
RET     :      M   10.2     Returnwert
:
:SPA    FB   66

NAME :REQ/RES
IBDB    :      DB   9      InterBus Datenbaustein
RRDB    :      M B  19     Kopf-DB-REQ/RES
T       :      T    3      Timer
TO      :      M    8.4     Time Out
:U      M    8.0           INITB
:O      M   10.0           ADDRESS
:SPB    =M002
:UN     M   10.2
:BEB
:STS
:EE

```



```

FBI
NAME: VLT-PARA                ;Parametrierung ueber IBS/DP
BEZ :STRC      EBI
BEZ :STR1      EBI
BEZ :STR2      EBI
BEZ :RDB       B
BEZ :CDB       B
BEZ :VLT       EBY
BEZ :AKTI      EBI
BEZ :PKEW      E W
BEZ :PARW      E W
BEZ :PKER      AW
BEZ :PARR      AW
BEZ :ERR       EBI
BEZ :OK        EBI

:UN  =STRC      Initiate Request schon gesendet?
:SPB =INIT      NEIN -> Initiate Request
:U   =STR1      Ctrl1=1 UND Ctrl2=0
:UN  =STR2      -> warte auf Write_Conf
:SPB =WCON
:UN  =STR1      Ctrl1=0 UND Ctrl2=1
:U   =STR2      -> warte auf Read_Conf
:SPB =RCON
:B   =RDB
L    KH 8082    Kennung Write_Request
T    DW 0
L    KH 0007    ParameterCounter = 7
T    DW 1
L    KH 0002    CR=2
T    DW 2
L    KH 5FA5    PKW-Object
T    DW 3
L    =VLT      VLT-Adresse ist Subindex
T    DL 4
L    KB 8      Anzahl Bytes = 8
T    DR 4
L    =PKEW     hole Auftrag fuer VLT
T    DW 5
L    =PARW     hole Parawert fuer VLT
T    DW 8
:U   M 0.1     VKE"1"
:S   =STR1     Write_Request abgesetzt
:SPA =CON0     Conf loeschen und Auftrag senden

```

```

:
W CON : **** Warte auf Write_Confirm.
:B =CDB Confirmation DB oeffnen
L DW 0 Conf_Kennung holen
L KH 0000
:!=F ist 0 dann weiter warten
:BEB
L DL 3 hole Result
:><F ist nicht NULL
:SPB =FAUL -> FEHLER
:
READ : *** READ-REQUEST absetzen ****
:B =RDB Request DB oeffnen
L KH 8081 Auftragskennung Read_Request
T DW 0
L KH 0003 Parametercounter = 3
T DW 1
L KB 0
T DR 4 Anzahl Bytes = 0
: CR; Object und VLT bleiben
:U M 0.1 VKE"1"
:RB =STR1 STR1=0 UND STR2=1
:S =STR2 -> warte auf Read_confirmantion
:SPA =CON0 Conf loeschen und Auftrag senden
:
R CON : *** warte auf READ-Confirmation
:B =CDB Confirmation DB oeffnen
L DW 0 Confirmation Kennung holen
L KH 0000
:!=F ist 0 dann weiter warten
:BEB
L DL 3 Result-Code holen
:><F ungleich 0
:SPB =FAUL -> FEHLER
L DW 4 Hole empfangenes PKE
:SLW 5 nur ParaNummer
L =PKEW hole gesendete Paranummer
:SLW 5 Nur Paranummer
:!=F gleich dann OK
:SPB =OK W erte eintragen
:SPA =READ wenn UNGLEICH dann neu LESEN

```

```

OK      :
        L   DW 4
        T   =PKER
        L   DW 7           Hole empfangenen Parameterwert
        T   =PARR
        U   M 0.1         VKE"1"
        S   =OK           Setze OK-Merker
        :RB =STR1
        :RB =STR2
        :BEA

INIT    :                 *** INITIATE REQUEST ***
        U   =STR1         ist nicht erster Lauf
        :SPB =INIL
        :B   =RDB         Schlage Request Baustein auf
        L   KH 808B       Auftragskennung Initiate Reques
        T   DW 0
        L   KH 0002       PC und CR
        T   DW 1         Parameter-Counter
        T   DW 2         Invoke ID / CommRef
        L   KY 0,0
        T   DW 3         Password,Access Group
        U   M 0.1         VKE"1"
        S   =STR1

CON0    :                 *** Confirmation loeschen ***
        :B   =CDB         Schlage Confirmation Baustein
        L   KH 0000       Eintraege loeschen
        T   DW 0
        T   DW 1
        T   DW 2
        T   DW 3
        T   DW 4
        T   DW 5
        U   M 0.1         VKE"1"
        S   =AKTI        Setze Aktivierungsmerker
        :BEA

INIL    :                 **** Warte auf Response ****
        :B   =CDB         Confirmation DB auf
        L   DW 0         Confirmation-Kennung abholen
        L   KH 0000
        :!=F           ist gleich 0-> keine Confirmatio
        :BEB           dann weiter abfragen
        L   DL 3         Quittungscode holen
        L   KH 0000
    
```

```

        :!F                ist 0 -> kein Fehler
        :SPB =INI2
FAUL :                    **** FEHLER ****
        :U   M 0.1        VKE"1"
        :S   =            Fehler aufgetreten
        :RB  =STRC        Reset erster Lauf
        :RB  =STR1
        :RB  =STR2
        :BEA
INI2  :                    *** Initiate Request OK ***
        :U   M 0.1        VKE"1"
        :S   =STRC        Setze Initiate erfolgreich
        :RB  =STR1        Reset Schmiermerker
        :BE

FB2
NAME:PARAMETE
BEZ  :PDB  B
BEZ  :COUN  E W
BEZ  :ANZA  DKF
BEZ  :PKEW  E W
BEZ  :PARW  E W
BEZ  :OK    EBI
BEZ  :STRT  EBI
BEZ  :ZEIG  E W
BEZ  :INIT  EBI
:
: B   = PDB                DatenDB aufschlagen
: UN  = INIT
: SPB = INIT

STRT :
: LW  = ANZA                hole Anzahl
: L   = COUN                hole momentane Anzahl
: >F                                noch nicht Ende
: SPB = WEIT                -> weiter machen
: RB  = OK                  FERTIG
: RB  = INIT                INIT zuruecksetzen
: R   M 224.1
: BEA                        und ENDE
WEIT L  = ZEIG                Hole Zeiger
: T   MW 250
: B   MW 250
: L   DW 0                    hole DW an Zeigeradresse

```

```

L      KH 2000
:+F      +2000, fuer Schreibkennung
T      =PKEW      ist neues PKEW
L      =ZEIG
I      1
T      MW 250

:B      MW 250
L      DW 0      lade DW an Zeigeradresse
T      =PARW      ist neuer Parameterwert
L      =ZEIG
L      KF +2
:+F
T      =ZEIG
L      =COUN
I      1
T      =COUN      Counter + 1
:RB      =OK      OK fuer FBl ruecksetzen
:S      =STRT      und FBl neu starten
:BEA

INIT  L      KH 0000
      T      =ZEIG
      T      =COUN
      S      =INIT
      :SPA =STRT
      :BE

DB9
0      :      KH 0000;
1      :      KH 0000;

254   :      KH 0000;
255   :      KH 0000;

DB10      ;Ident-Code-Liste
0      KY 0,3      ;Anzahl der Parameter
1      KY 5,241    ;IBS-PB Gateway
2      KY 0,16     ;Diagnose Bit Register
3      KY 0,17     ;Diagnose Parameter Register
4      KY 0,0      ;Laengencode 1Geraet PP01=5
5      KY 0,0      ;"      6GeraetePP01=15

```

```

DB11                                ;Bussegment-Liste
0:  KY 0,3                          ;Anzahl der Parameter
1:  KY 0,0                          ;IBS<>PB Gateway
2:  KY 0,0                          ;Diagnose Bit Register
3:  KY 0,0                          ;Diagnose Parameter Register

DB12                                ;IN-Adress-Liste
0:  KY 0,3                          ;Anzahl der Parameter
1:  KY 0,32                         ;IBS<>PB Gateway
2:  KY 0,128                        ;Diagnose Bit Register
3:  KY 0,128                        ;Diagnose Parameter Register

DB13                                ;OUT-Adress-Liste
0:  KY 0,3                          ;Anzahl der Parameter
1:  KY 0,32                         ;IBS-PB Gateway
2:  KY 0,0                          ;Diagnose Bit Register
3:  KY 0,0                          ;Diagnose Parameter Register

DB14                                ;KR-Liste
0:  KY 0,3                          ;Anzahl der Parameter
1:  KY 0,2                          ;IBS<>PB Gateway
2:  KY 0,0                          ;Diagnose Bit Register
3:  KY 0,0                          ;Diagnose Parameter Register

DB20                                ;CON/IND-Kopftabelle
0:  KH 0000                        ;1. CODE;
1:  KH 0000                        ; FC ;
2:  KH 0000                        ; KR ;
3:  KY 0,0                          ; DB,DW;
4:  KH 0000                        ;2. CODE;
5:  KH 0000                        ; FC ;
6:  KH 0000                        ; KR ;
7:  KY 0,0                          ; DB,DW;
8:  KH 0000                        ;3. CODE;

52: KH 0000                        ;14.CODE;
53: KH 0000                        ; FC ;
54: KH 0000                        ; KR ;
55: KY 0,0                          ; DB,DW;
56: KH 0000                        ;15.CODE;
57: KH 0000                        ; FC ;
58: KH 0000                        ; KR ;
59: KY 0,0                          ; DB,DW;
60: KH 0000

```

```
DB21 ;CON/IND-Standard-DB
0: KH 0000 ;CODE ;
1: KH 0000 ; FC ;
2: KH 0000 ; KR ;
3: KH 0000 ;Rumpf;
4: KH 0000
```

```
30: KH 0000
31: KH 0000
32: KH 0000
33: KH 0000
34: KH 0000
```

```
DB22 ;REQ/RES-Kopftabelle
0: KH 0000 ;1. CODE;
1: KH 0000 ; FC ;
2: KH 0000 ; KR ;
3: KY 0,0 ; DB,DW;
4: KH 0000 ;2. CODE;
5: KH 0000 ; FC ;
6: KH 0000 ; KR ;
7: KY 0,0 ; DB,DW;
8: KH 0000 ;3. CODE;
```

```
52: KH 0000 ;14.CODE;
53: KH 0000 ; FC ;
54: KH 0000 ; KR ;
55: KY 0,0 ; DB,DW;
56: KH 0000 ;15.CODE;
57: KH 0000 ; FC ;
58: KH 0000 ; KR ;
59: KY 0,0 ; DB,DW;
60: KH 0000
```

```
DB23 ;REQ/RES-Standard-DB
0: KH 0000 ;CODE ;
1: KH 0000 ; FC ;
2: KH 0000 ; KR ;
3: KH 0000 ;Rumpf
4: KH 0000
5: KH 0000
```

```
58: KH 0000
59: KH 0000
60: KH 0000
61: KH 0000
62: KH 0000
```

```
DB25 ;Einstellen der PDU Länge
0: KH 0003 ;Länge 3 Worte
1: KH 0002 ; 0.Eintrag CR=2
2: KH 0A80 ;10.Eintrag 80hex
3: KH 0C80 ;12.Eintrag 80hex
```

```
DB100 ;Download Daten
0: KF +201 ;Parameter 201 Min.Frequenz
1: KF +100 ;Wert 100 = 10.0Hz
2: KF +202 ;Parameter 202 Max.Frequenz
3: KF +1000 ;Wert 1000 = 100.0Hz
4: KF +205
5: KF +1
6: KF +206
7: KF +2
8: KF +207
9: KF +3
10: KF +208
11: KF +4
12: KF +209
13: KF +30
14: KF +215
15: KF +111
16: KF +216
17: KF +222
18: KF +217
19: KF +333
20: KF +218
21: KF +444
22: KF +0
23: KF +0
24: KF +0
```



25: KF +1  
26: KF +0  
27: KF +2  
28: KF +0  
29: KF +3  
30: KF +0  
31: KF +4  
32: KF +0  
33: KF +5



<b>A</b>	<b>I</b>
Aktuelles PPO-Write ..... 38	ID-Code ..... 43
Anmerkungen für die Programmierung ..... 39	Index/Subindex, IND ..... 41
Anschluß der Busleitung ..... 49	InterBus-S Modulfehler ..... 45
Anschlußbeispiel ..... 48	<b>K</b>
Anzahl der VLT® 5nach einem BUS-Ausfall eine Reaktion000 ..... 44	Klemmen und Stecker ..... 50
<b>B</b>	Kommunikationsbeziehungsliste .47
Baudrate ..... 38	Kommunikationsobjekte ..... 44
Bedienelemente ..... 50	Konfiguration des
Bedienhoheit ..... 38	Frequenzumrichters ..... 38
Beispielaufbau ..... 51	<b>L</b>
Beispielprogramm ..... 51	Längencodes ..... 43
<b>E</b>	Leszugriffe ..... 46
Eigenschaften der InterBus-S-Seite .43	<b>P</b>
Eigenschaften der PROFIBUS-DP-Seite ..... 37	Parameter 502-512 ..... 38
Eingestellter PPO-Typ ..... 44	Parameter 800 ..... 38
Einstellen der PDU-Länge bei PCP51	Parameter 801 ..... 38
Einstellen des Interbus-S-Masters .. 51	Parameter 803 ..... 38
Error code 00 hex ..... 47	Parameter 804 ..... 38
Error code 05 hex ..... 46	Parameter 904 ..... 38
Error code 08 hex ..... 46	Parameter 918 ..... 38
<b>F</b>	Parameter 927 ..... 38
Fehlermeldungen ..... 47	Parameter 928 ..... 38
FMS/DP-Wahl ..... 38	Parameter-Kennung-Wert, EKE ..... 41
Führungshoheit ..... 38	Parameterschnittstelle -
Funktion nach Bus-Fehler ..... 38	Read.Request ..... 41
<b>G</b>	Parameterwert, PWE ..... 41
Gehäuse ..... 50	Parametrierung ..... 39
<b>H</b>	PCP-Kommunikation ..... 44
Hinweise zum Programm ..... 51	PKW-Teil von PPO1 ..... 46
	PPO ..... 36
	PPO1 / PPO3 ..... 50
	PROFIBUS-DP-Seite ..... 41
	Programmierung ..... 39

R

Read.Request ..... 41  
Rückmeldung ..... 36

S

Schreibgriffe ..... 46  
Siemens S5-115U ..... 51  
Soll- / Istwert ..... 39  
Starten des VLT ..... 51  
Steuerwort ..... 39  
supported services ..... 47

T

Technische Daten ..... 48  
Teilnehmer Adresse ..... 38

U

Überblick ..... 36

W

Write.Request ..... 40

Z

Zeit nach Busausfall ..... 38